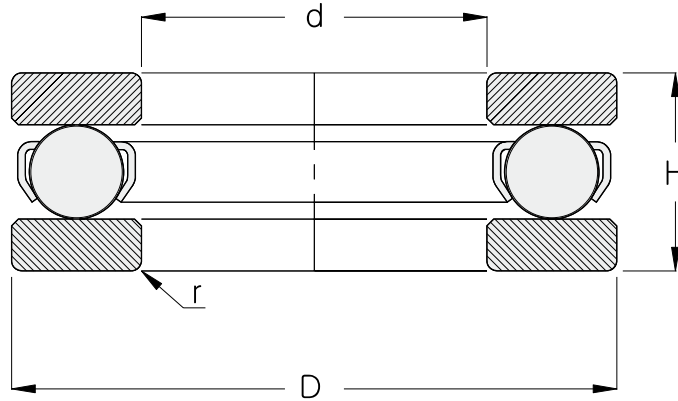


MINIATURE THRUST BALL BEARINGS

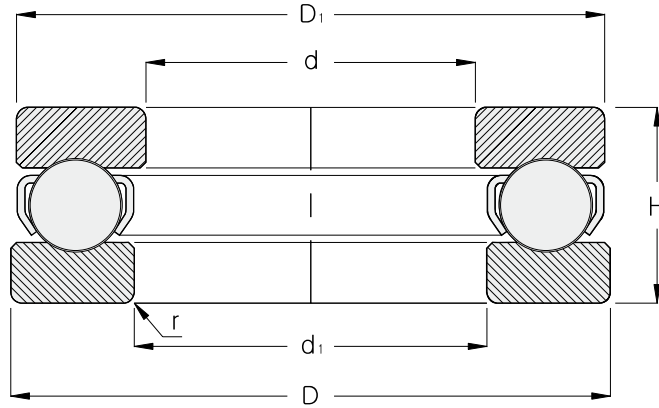
SST-Type



Bearing No	Dimensions(mm)				Ball		Load rating(kgf)		Note
	D	d	H	r	Size	Q'ty	C	Co	
SST-620	6	2	3	0.15	1.0mm	6	16	30	
SST-725	7	2.5	3.5	0.15	1.5mm	6	22	42	
SST-830	8	3	3.5	0.2	1.5mm	7	25	49	
SST-940	9	4	4	0.2	1.6mm	8	27	56	
SST-1040	10	4	4.5	0.2	2.1mm	7	69	154	
SST-1150	11	5	4.5	0.2	2.1mm	8	76	176	
SST-1260	12	6	4.5	0.2	2.1mm	9	82	198	
SST-1570	15	7	5	0.2	3.0mm	8	144	360	
SST-1680	16	8	5	0.3	3.0mm	9	156	405	
SST-1790	17	9	5	0.3	3.0mm	10	167	450	
SST-1810	18	10	5.5	0.3	2.5mm	12	136	375	



SST-DSG Type



Bearing No	Dimensions(mm)						Ball		Load rating (kgf)		Note
	D	D ₁	d	d ₁	H	r	Size	Q'ty	C	Co	
SST-830DSG	8	8	3	3.1	3.5	0.2	2.0mm	7	63	140	
SST-1040DSG	10	10	4	4.1	4.5	0.2	2.0mm	8	69	160	
SST-1050DSG	10	10	5	5.1	4	0.2	2.0mm	9	75	180	
SST-1260DSG	12	12	6	6.2	4.5	0.2	2.1mm	9	82	198	
SST-1570DSG	15	15	7	7.2	5.5	0.3	3/32	9	103	255	
SST-1680DSG	16	16	8	8.2	5	0.3	3.0mm	9	156	405	
SST-1790DSG	17	17	9	9.2	5	0.3	3.0mm	9	156	405	
SST-1810DSG	18	18	10	10.2	5.5	0.3	1/8	12	209	604	
SST-418DSG	6.3500	6.2990	2.3800	2.4300	2.3800	0.13	3/64	8	27	56	4T MPB
SST-518DSG	7.9375	7.8800	3.1750	3.2300	3.1750	0.20	1/16	8	45	100	5T MPB
SST-632DSG	9.5250	9.4740	4.7625	4.810	3.8100	0.20	1/16	8	45	100	6T MPB
SST-718DSG	11.112	11.061	3.1750	3.226	4.7625	0.30	3/32	6	78	170	7T MPB